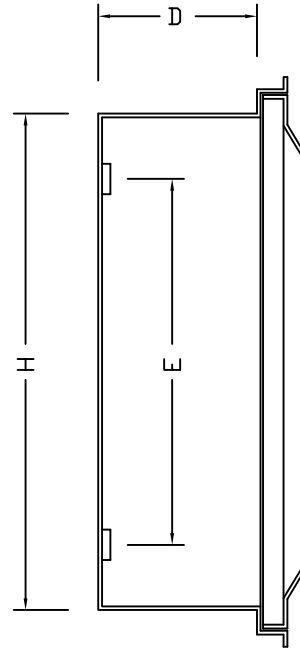
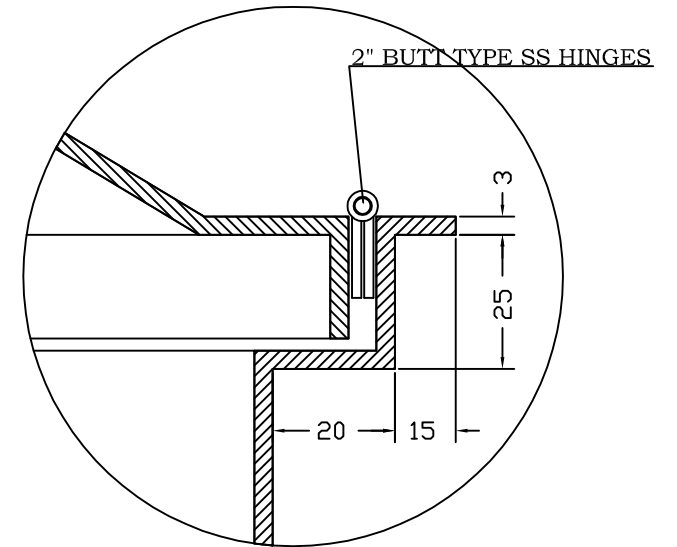


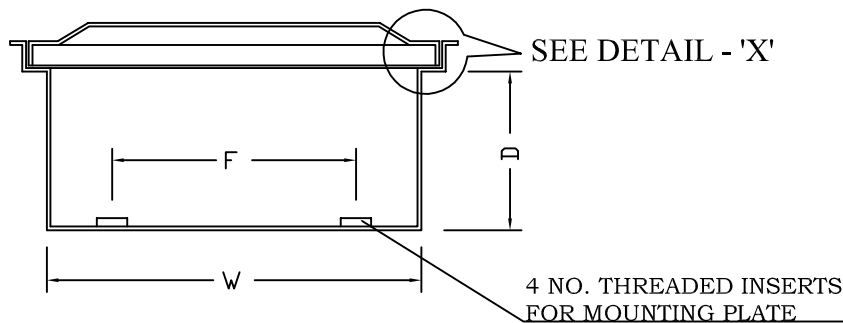
FRONT ELEVATION



SECTIONAL SIDE VIEW



DETAIL 'X'



SECTIONAL PLAN



**GRP Industries**  
www.grpindustries.com

TITLE : - TELEPHONE & CABLE TV BOX

SIZE:- GENERAL