


# Polyester Telephone Box And Cable TV Box

(Suitable for Flush mounting)

## Standard Features

- Stainless steel hinges
- Long life foam gasket
- Latch type  key locks - 1 & 2 Nos.
- High impact & temperature resistant
- 4 Nos. M8 inserts embedded for fixing mounting plate
- Wall thickness 3 mm generally
- Fire retardant, self extinguishing to BS 476: Part 7 : 1997 class 2 / DIN 4102, Class B2
- External finish : Plain semi glass light grey gelcoat finish to RAL 7035
- All hardware galvanised steel or of non-corrosive material

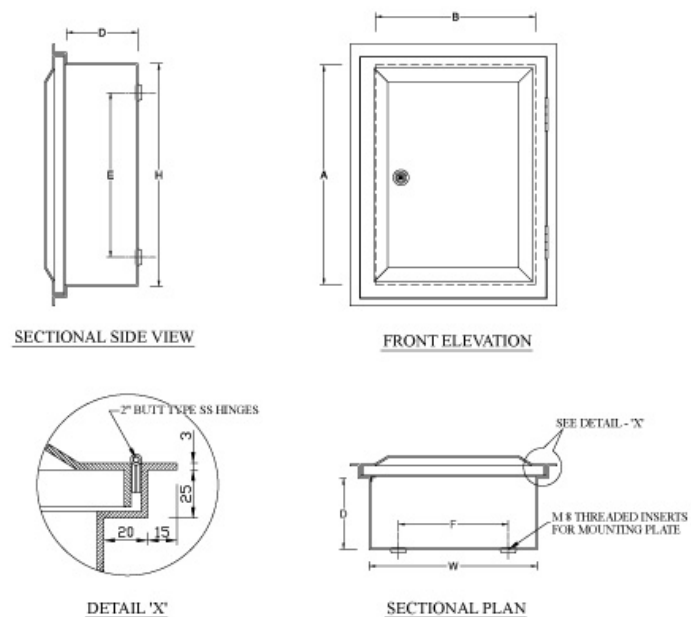
## Standard Colours

- ◆ Light Grey - RAL 7035
- Other colours on special request



# Polyester Telephone Box And Cable TV Box

## General Drawing



## Sizes Available

All dimensions in mm

SL. NO.	PRODUCT REFERENCE	INTERNAL SIZE			CLEAR OPENING		C/C OF INSERTS	
		HEIGHT H	WIDTH W	DEPTH D	A	B	E	F
1	TB 403015	400	300	150	400	280	300	200
2	TB 604017	600	400	170	600	370	500	300
3	TB 806020	800	600	200	800	580	700	500
4	CATV 302515	300	250	150	300	230	200	150

For any other size please call for quotation.  
Design details from those shown can be changed without prior notice.